

Printer/Scanner Kit Type 1232 (B529/B463)
IEEE 1394 Interface Unit Type 4510 (G336)
IEEE 802.11b Interface Kit Type B (B515)

**Printer/Scanner Kit Type 1232 (B529/B463)
IEEE 1394 Interface Unit Type 4510 (G336)
IEEE 802.11b Interface Kit Type B (B515)**

PARTS CATALOG

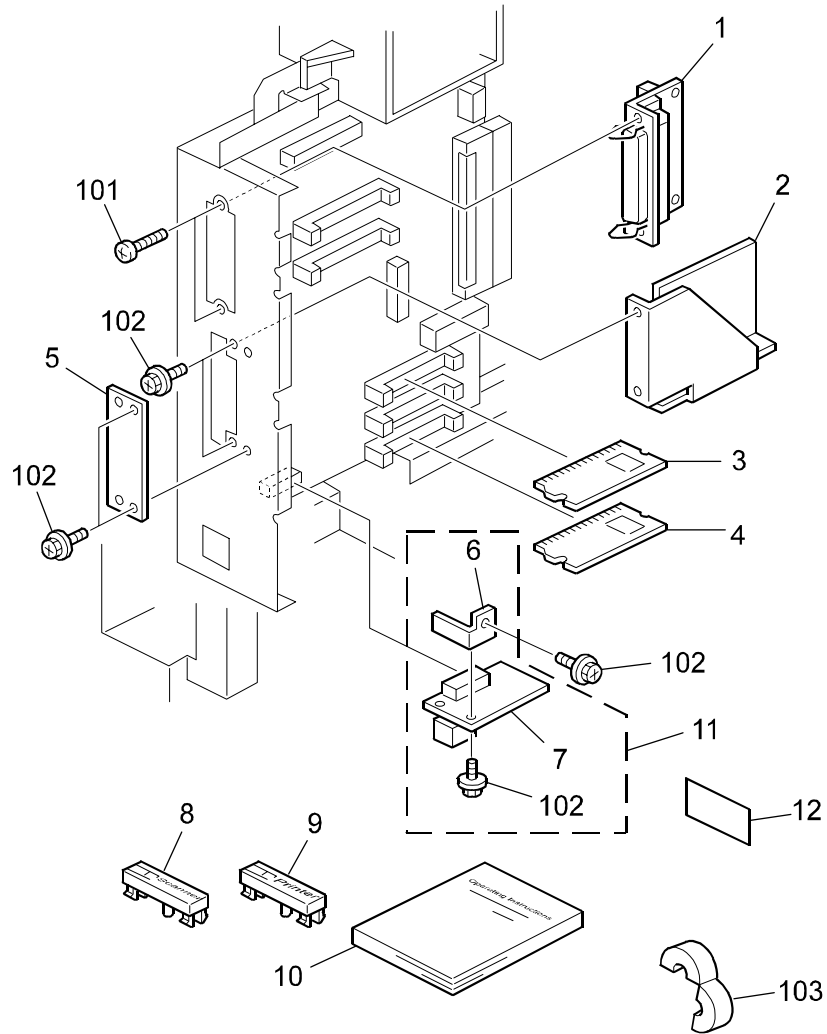
This catalog gives the numbers and names of parts on this machine.

1.PRINTER/SCANNER/IEEE1394/802.11b 2
(B529/B463/B515/G336)
PARTS INDEX5

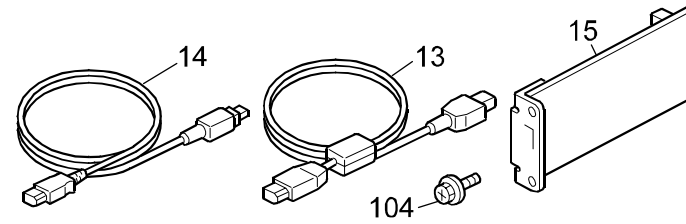
July ,25 ' 2002

1.PRINTER/SCANNER/IEEE 1394/802.11b (B529/B463/B515/G336)

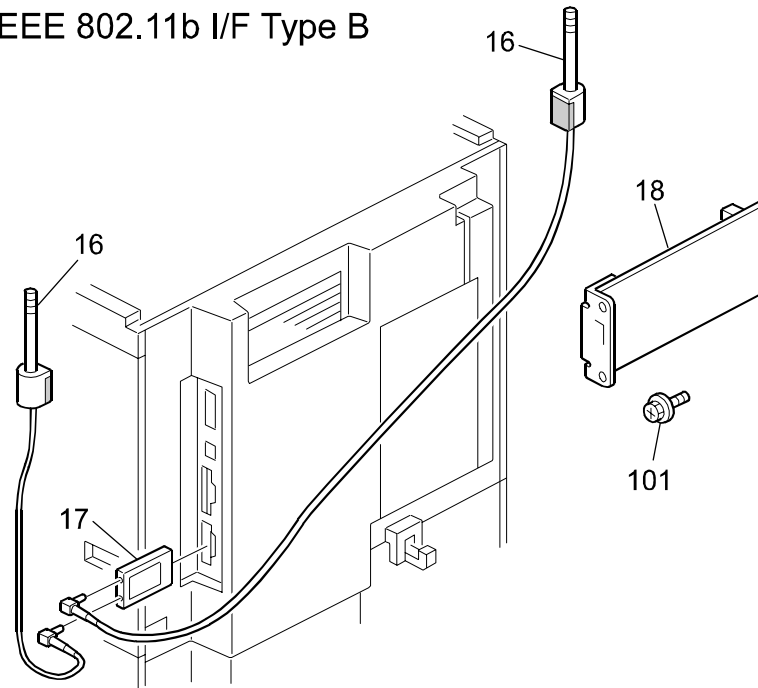
Printer/Scanner Kit Type 1232



IEEE 1394 I/F Kit Type 4510



IEEE 802.11b I/F Type B



1.PRINTER/SCANNER/IEEE 1394/802.11b (B529/B463/B515/G336)

Index No.	Part No.	Description	Q'ty Per Assembly
1	B463 5700	IEEE 1284 Board	1
2	B053 5164	MVRAM Board2	1
3	B529 5117	DIMM PCL 4MB	1
4	B463 5217	DIMM PHY 4MB	1
4	B529 5160	DIMM PHY/SCANNER 8MBy	1
5	G070 5527	Card Cover	1
6	B051 5885	NIB Bracket	1
7	B053 5254	Network Interface Board	1
8	G570 2067	Keytop Scanner - NA	1
8	G570 2077	Keytop Scanner - EU	1
9	G570 2066	Keytop Printer - NA	1
9	G570 2076	Keytop Printer - EU	1
10	B463 8616	Operating Instructions - Printer (Chinese)	1
10	B463 8607	Operating Instructions - Printer (English)	1
11	B053 5166	GW-PHY2 A'ssy	1
12	B463 7000	Decal - FCC	1
13	G561 5501	1394 Cable - 2P	1
14	G561 5500	1394 Cable - 4P	1
15	G561 5710	1394 Board	1
16	G628 5400	Option Antenna - GW-WLAN (2pcs/set)	1
17	G628 5453	Wireless Card - US	1
17	G628 5454	Wireless Card - EU	1
18	G628 5700	Wireless LAN Board	1

Index No.	Part No.	Description	Q'ty Per Assembly
101	0353 0080Z	Philips Trass Head Screw - M3x8	
102	0451 3006B	Tapping Screw - M3x6	
103	1607 1429	Ferrite Core - SFT-72SN	
104	0951 3004B	Philips Screw With Flat Washer - M3x4	

Parts Index

Parts Index

Part No.	Description	Page and Index No.
B529 5117	DIMM PCL 4MB	3 - 3
B529 5160	DIMM PHY/SCANNER 8MBy	3 - 4

Part No.	Description	Page and Index No.
B051 5885	NIB Bracket	3 - 6
B053 5164	MVRAM Board2	3 - 2
B053 5166	GW-PHY2 A'ssy	3 - 11
B053 5254	Network Interface Board	3 - 7
B463 5217	DIMM PHY 4MB	3 - 4
B463 5700	IEEE 1284 Board	3 - 1
B463 7000	Decal - FCC	3 - 12
B463 8607	Operating Instructions - Printer (English)	3 - 10
B463 8616	Operating Instructions - Printer (Chinese)	3 - 10
G070 5527	Card Cover	3 - 5
G561 5500	1394 Cable - 4P	3 - 14
G561 5501	1394 Cable - 2P	3 - 13
G561 5710	1394 Board	3 - 15
G570 2066	Keytop Printer - NA	3 - 9
G570 2067	Keytop Scanner - NA	3 - 8
G570 2076	Keytop Printer - EU	3 - 9
G570 2077	Keytop Scanner - EU	3 - 8
G628 5400	Option Antenna - GW-WLAN (2pcs/set)	3 - 16
G628 5453	Wireless Card - US	3 - 17
G628 5454	Wireless Card - EU	3 - 17
G628 5700	Wireless LAN Board	3 - 18

Part No.	Description	Page and Index No.
0353 0080Z	Philips Trass Head Screw - M3x8	3 -101
0451 3006B	Tapping Screw - M3x6	3 -102
0951 3004B	Philips Screw With Flat Washer - M3x4	3 -104
1607 1429	Ferrite Core - SFT-72SN	3 -103

Part No.	Description	Page and Index No.